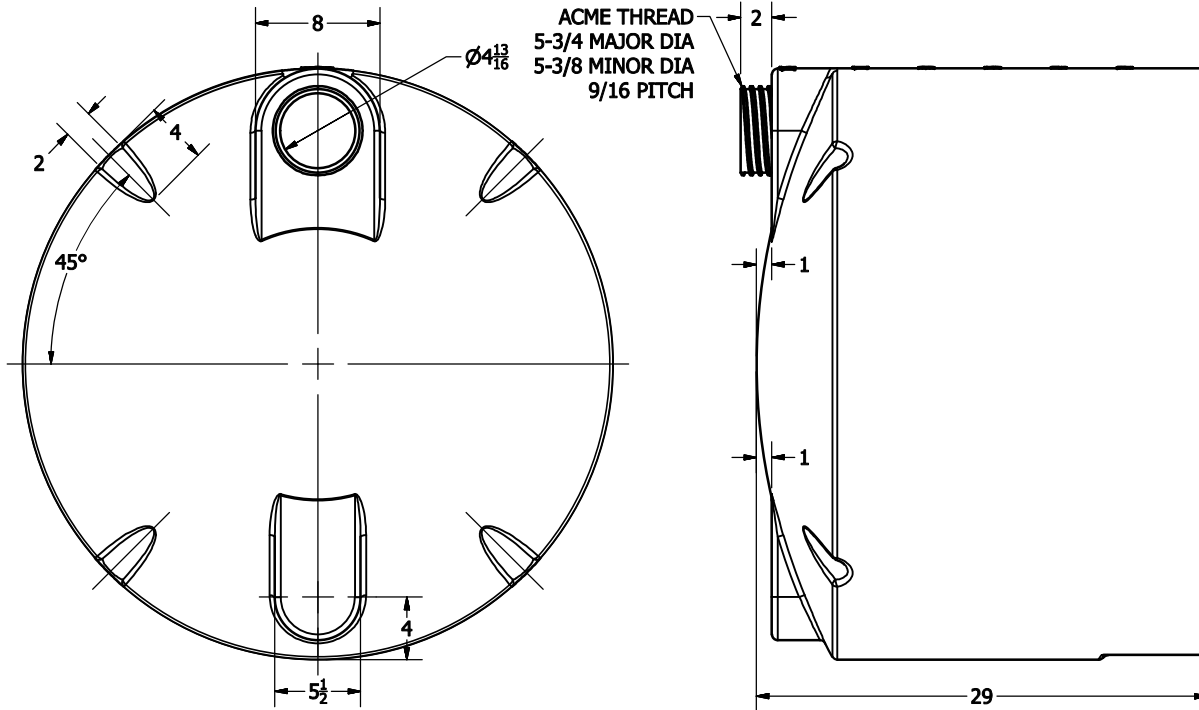
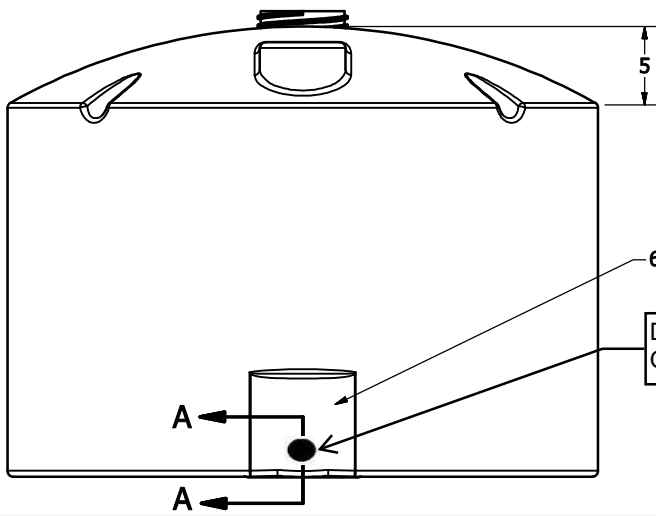
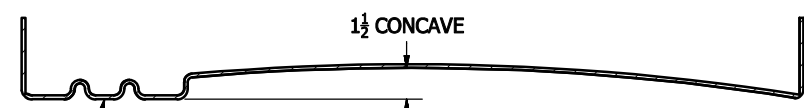
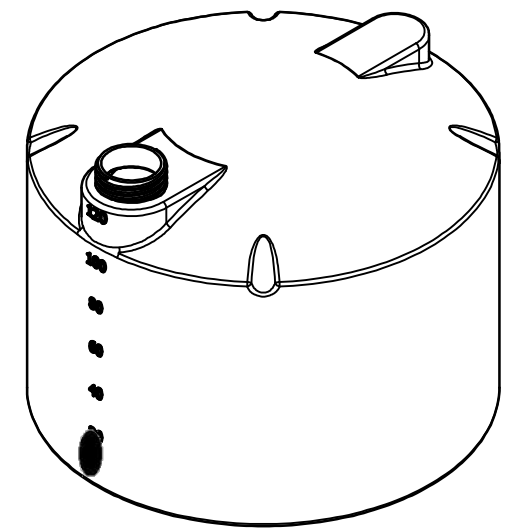


RÉSERVOIR VERTICAL FERMÉ 120 GALLON US

WWW.AGRICOPLASTIQUES.COM



REVISION HISTORY			
REV	DESCRIPTION	DATE	AUTHOR
B	REDRAWN	1/13/1997	
C	LID THREAD REVISED	2/9/2000	
D	WAS MINI BULK TANK	8/15/2011	
E	REDRAWN	7/16/2013	Michael Holden



SUMP WITH 4-SEGMENT LOCATOR FOR STANDPIPE

6 3/4 X 6 3/4 FLAT

Drain Inlet 1-1/4"  
Outlet Included 1-1/4"

SECTION A-A  
SCALE 1 :6

DRAWN Jerry Paulson	1/13/1997	<b>AGRICO PLASTIQUES</b> 450-471-2772	
CHECKED		TITLE	
QA		120 GALLON VERTICAL TANK <span style="border: 1px solid black; padding: 2px;">D</span>	
MFG		SIZE B	DWG NO <b>VFN40318</b>
APPROVED		REV E	
SCALE: 1/16		SHEET 1 OF 2	